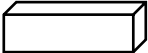
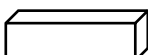

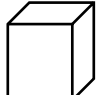
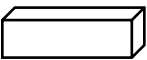
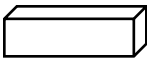
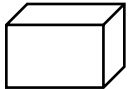
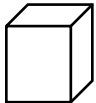


SEAL THE SIDE LEAVING 4" POCKET  
THE HOLES ARE TO FIT INSIDE THE POCKET

SHELF AD SPECS	PRINT SPECIFICATIONS	BOX SIZES		
<ul style="list-style-type: none"> <li>The Shelf Ad is printed flat and only on one side. The card stock is then folded in the middle vertically.</li> <li>The top and bottom of the shelf ad is completely sealed from side to side.</li> <li>The vertical side of the shelf ad is sealed leaving a 5" pocket that is required for the insertion of the mounting hardware.</li> <li>Tape or adhesive may be used to seal the shelf ad.</li> </ul>	<ul style="list-style-type: none"> <li>Fold vertical at centre 4/0 colour</li> <li>Bleed 1/8"</li> <li>100% live area</li> <li>12 pt. gloss finish card stock</li> <li>Round all corners</li> <li>5" Pocket</li> <li>1/4" drill hole</li> </ul>	Box	Height	Width
			2.50 "	5.25 "
			3.75 "	6.25 "
			4.50 "	5.50 "
			5.00 "	3.75 "
<div style="border: 1px solid black; padding: 5px; display: inline-block;">DIAGRAM IS NOT TO SCALE</div>				

- The Booklet Collection offers 4 sizes of boxes to accommodate various booklet sizes.
- Boxes are arranged back to back and perpendicular to the shelf.
- 250 sheet maximum per Box
- Shelf Ads can be inserted between the two boxes for added creative design.
- Booklet dimensions cannot exceed 1.5" over the height of the box.

**SHELF AD SIZES**

Box	Height	Width
	2.50 "	5.25 "
	3.75 "	6.25 "
	4.50 "	5.50 "
	5.00 "	3.75 "



